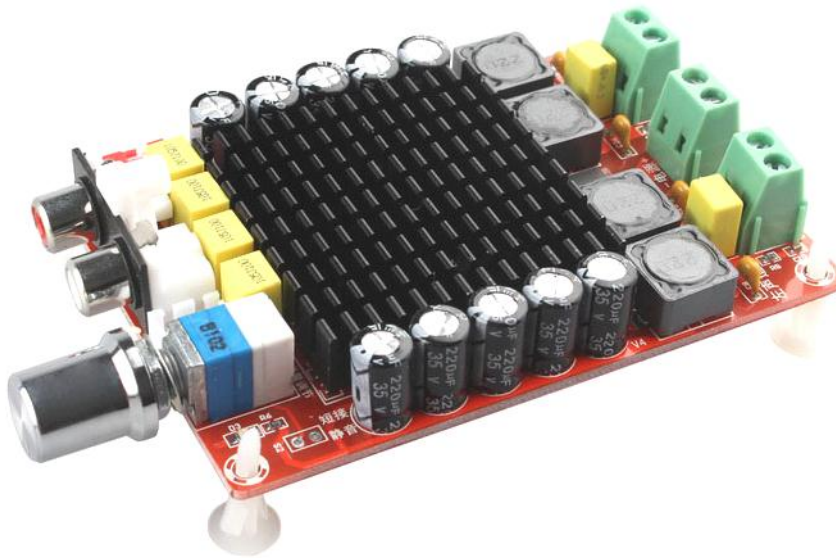




## 2x100W Class-D Stereo Audio Amplifier Board

This amplifier board features a state-of-the-art, with dual channel Class-D TDA7498 IC, which delivers up to 100 watts per channel. The small 3.6" wide by 4.8" long PCB footprint allows this amplifier board to be used in many applications where size constraints limit the use of conventional amplifiers. Just add a 15 to 36 VDC power supply, signal source, and speakers! A low noise cooling fan can be mounted atop the robust heat-sink to maximize heat dissipation. Three fixed gain settings are available to allow for volume control at the source, and stereo RCA line-level inputs are pre-attached. Screw-down phoenix-type terminals are included for quick speaker wire connection.



**SKU:** [MDU1030](#)

### **Brief Data:**

- Class-D amplifier topology featuring TDA7498 amplifier IC.
- Low profile black anodized heat-sink.
- Over-temperature, over/under voltage, and over current protection circuits.
- Line-level RCA audio input terminals.
- Power output (36VDC): 100W x 2 (6 ohms, THD 10%), 99W x 2 (6 ohms, THD 1%).
- Frequency response: 20~20,000 Hz.
- Speaker Impedance: 6~8Ω.
- Recommended power supply: 15 to 36 VDC, 6.17A regulated.
- Fixed gain settings: 24dB, 25dB, 26dB.
- Power input jack: 2.5 x 5.5 mm, center-positive.
- 4-Screws ( M3 size ) for Easy Installation.
- Dimensions: ( 90 x 64 x 20)mm (LxWxH).

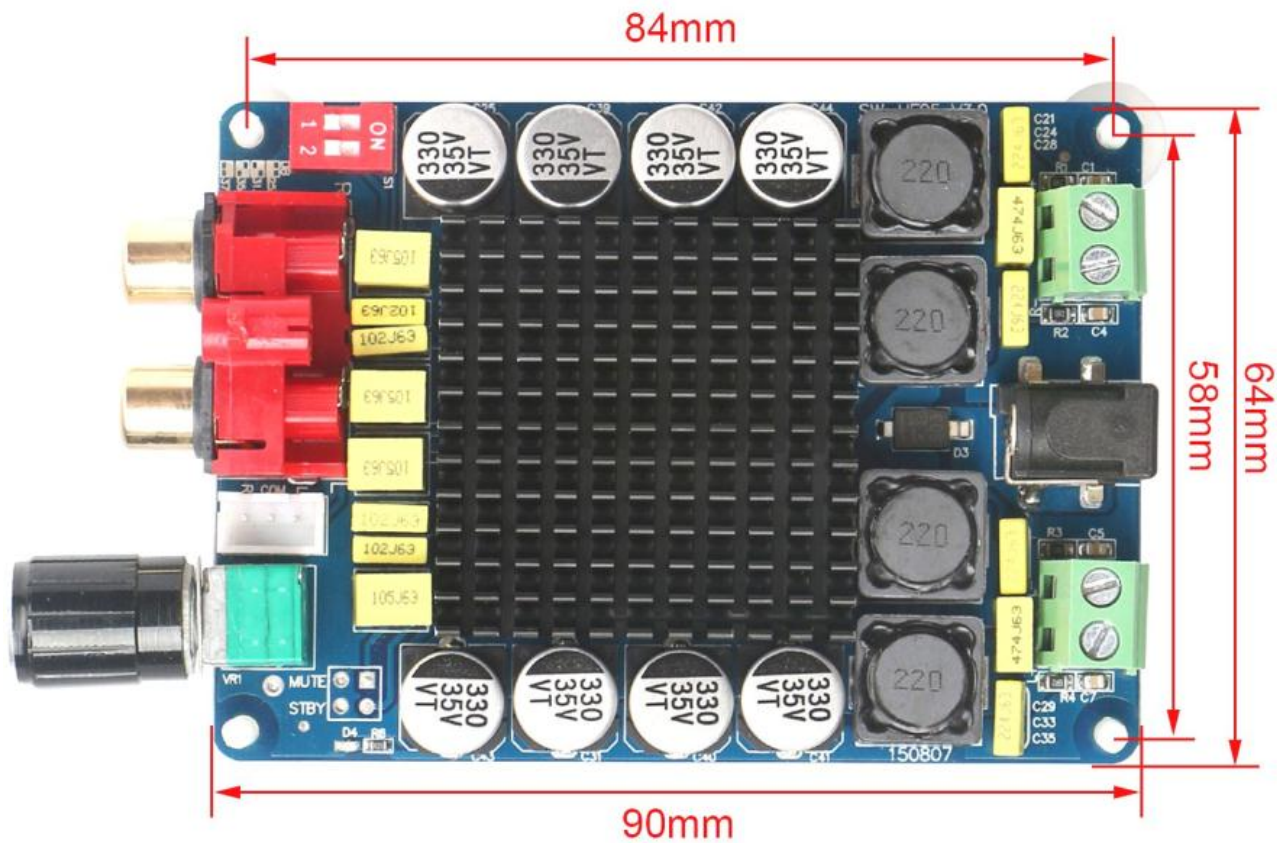
## Audio Performance Data:

Specifications typical @ +25°C, Powered by 32VDC, unless otherwise noted. Specifications subject to change without notice.

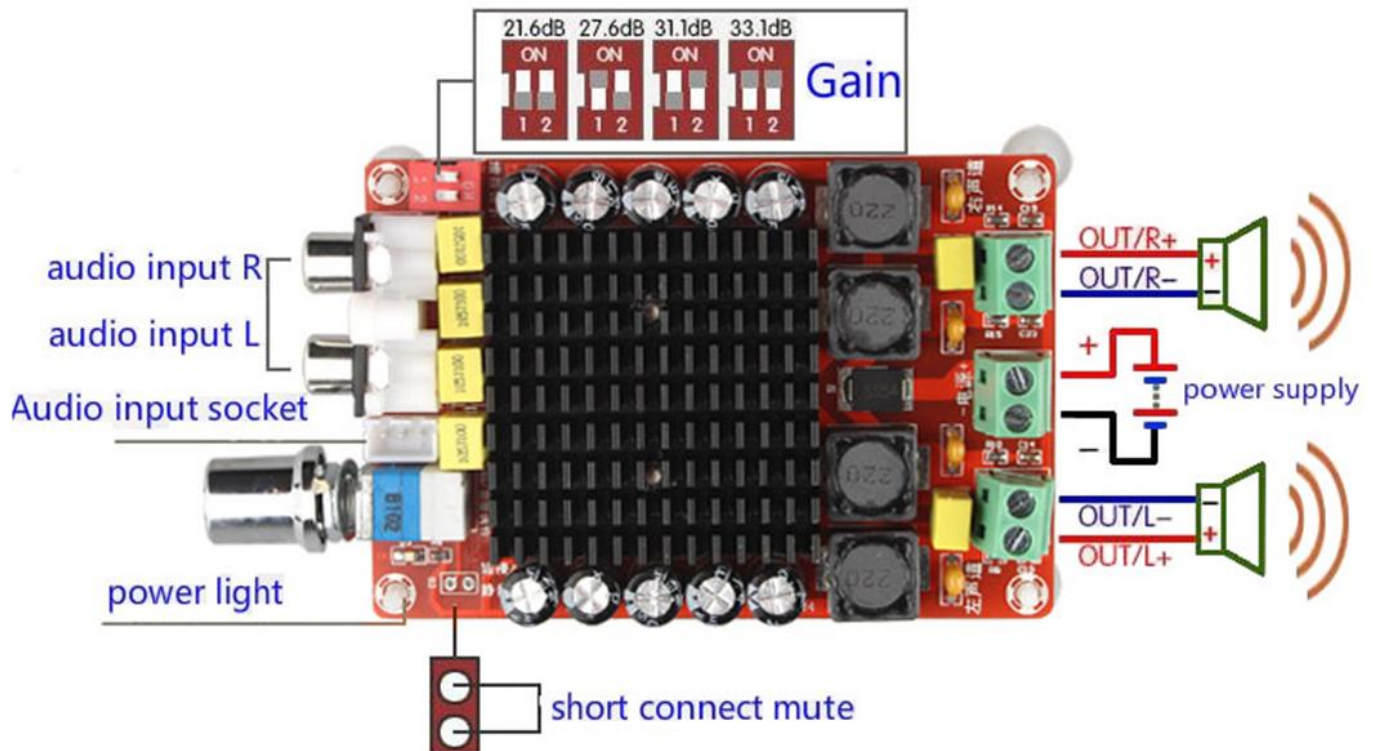
Parameter	Conditions	Min	Typ.	Max	Units
Gain		24	25	26	dB
Input Sensitivity			1.4		V
Input Impedance			33		KΩ
Output Power	6Ω THD+N 1%		99		W
	6Ω THD+N 10%		100		W
Bandwidth ±3dB	6Ω	20		20K	Hz
THD	6Ω, 1W @ 1KHz		0.05		%
	6Ω, 1W @ 10KHz		0.09		%
Output Noise Level	A-weighted, Input grounded		280		μV
Signal-Noise Ratio	99W 6Ω THD+N 1%		95		dB

## Mechanical Dimension:

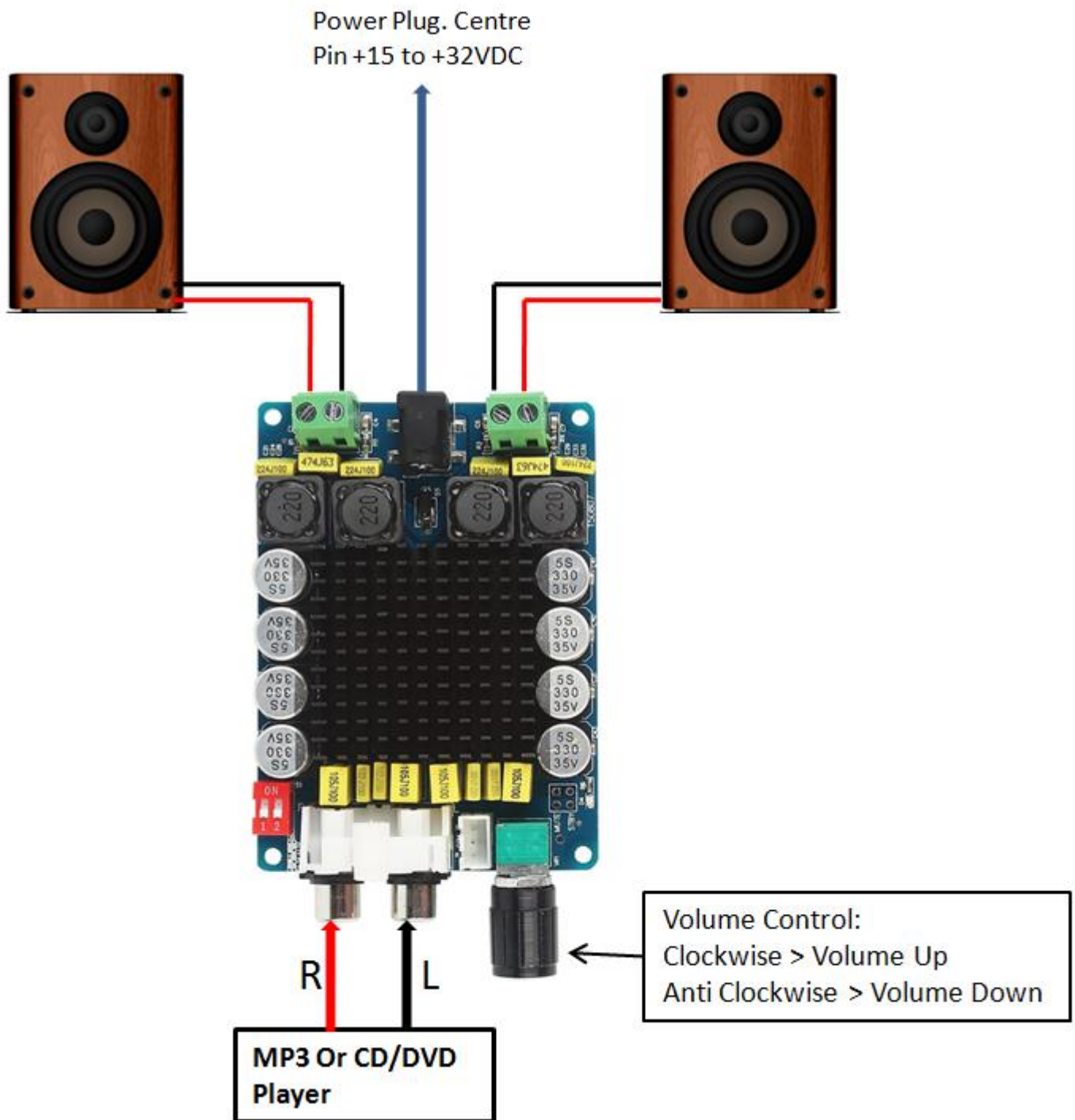
Unit: mm



## Functional Block Diagram:



## Basic Connection:



## Additional Information:

- [Class-D Audio Amplifier Basic](#)
- [Bluetooth WAV/FLAC/MP3 Player Module](#)
- [USB MP3 Player Module](#)



# Handsontec.com

*We have the parts for your ideas*

---

HandsOn Technology provides a multimedia and interactive platform for everyone interested in electronics. From beginner to diehard, from student to lecturer. Information, education, inspiration and entertainment. Analog and digital, practical and theoretical; software and hardware.



open source  
hardware

HandsOn Technology support Open Source Hardware (OSHW) Development Platform.

*Learn : Design : Share*

*handsontec.com*



**The Face behind our product quality...**

**In a world of constant change and continuous technological development, a new or replacement product is never far away – and they all need to be tested.**

**Many vendors simply import and sell without checks and this cannot be the ultimate interests of anyone, particularly the customer. Every part sell on Handsotec is fully tested. So when buying from Handsotec products range, you can be confident you're getting outstanding quality and value.**

**We keep adding the new parts so that you can get rolling on your next project.**



[www.handsontec.com](http://www.handsontec.com)

[Breakout Boards & Modules](#)



[Connectors](#)



[www.handsontec.com](http://www.handsontec.com)

[Electro-Mechanical Parts](#)



[www.handsontec.com](http://www.handsontec.com)

[Engineering Material](#)



[www.handsontec.com](http://www.handsontec.com)

[Mechanical Hardware](#)



[Electronics Components](#)

P



[www.handsontec.com](http://www.handsontec.com)

[Power Supply](#)



[Arduino Board & Shield](#)

Tools & Accessory



[www.handsontec.com](http://www.handsontec.com)

[Tools & Accessory](#)